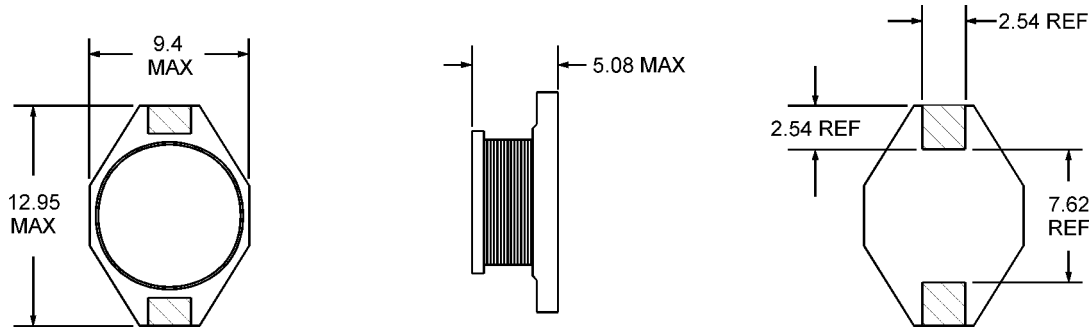


# JOYOUS INDUCTOR

## JSRP5120 Series Power Inductor



### GENERAL SPECIFICATIONS

<b>Inductance Range</b>	1.0 $\mu$ H to 1000 $\mu$ H
<b>Tolerance</b>	20%
<b>Operating Temperature</b>	-40°C to +85°C

### SPECIFICATIONS

Inductance Code	Inductance ( $\mu$ H)	DCR (Ohms $\pm$ 15%)	Test Frequency	Isat (Amps)
1R0	1.0	0.008	100kHz, 0.1Vrms	9.0
1R5	1.5	0.009	100kHz, 0.1Vrms	8.0
2R2	2.2	0.010	100kHz, 0.1Vrms	7.0
3R3	3.3	0.013	100kHz, 0.1Vrms	6.4
4R7	4.7	0.016	100kHz, 0.1Vrms	5.4
6R8	6.8	0.019	100kHz, 0.1Vrms	4.6
100	10	0.025	100kHz, 0.1Vrms	3.8
150	15	0.040	100kHz, 0.1Vrms	3.0
220	22	0.050	100kHz, 0.1Vrms	2.6
330	33	0.088	100kHz, 0.1Vrms	2.0
470	47	0.120	100kHz, 0.1Vrms	1.6
680	68	0.160	100kHz, 0.1Vrms	1.4
101	100	0.230	100kHz, 0.1Vrms	1.2
151	150	0.330	100kHz, 0.1Vrms	1.0
221	220	0.530	100kHz, 0.1Vrms	0.8
331	330	0.810	100kHz, 0.1Vrms	0.6
471	470	1.100	100kHz, 0.1Vrms	0.5
681	680	1.600	100kHz, 0.1Vrms	0.4
102	1000	2.150	100kHz, 0.1Vrms	0.3

### PART NUMBERING GUIDE

<b>JSRP5120</b>	-	<b>1R0</b>	<b>M</b>	<b>TR</b>
<b>SERIES</b>		<b>INDUCTANCE CODE</b>	<b>INDUCTANCE TOLERANCE</b>	<b>PACKAGING</b>
JSRP5120			M=20%	Blank=Bulk TR=Tape and Reel